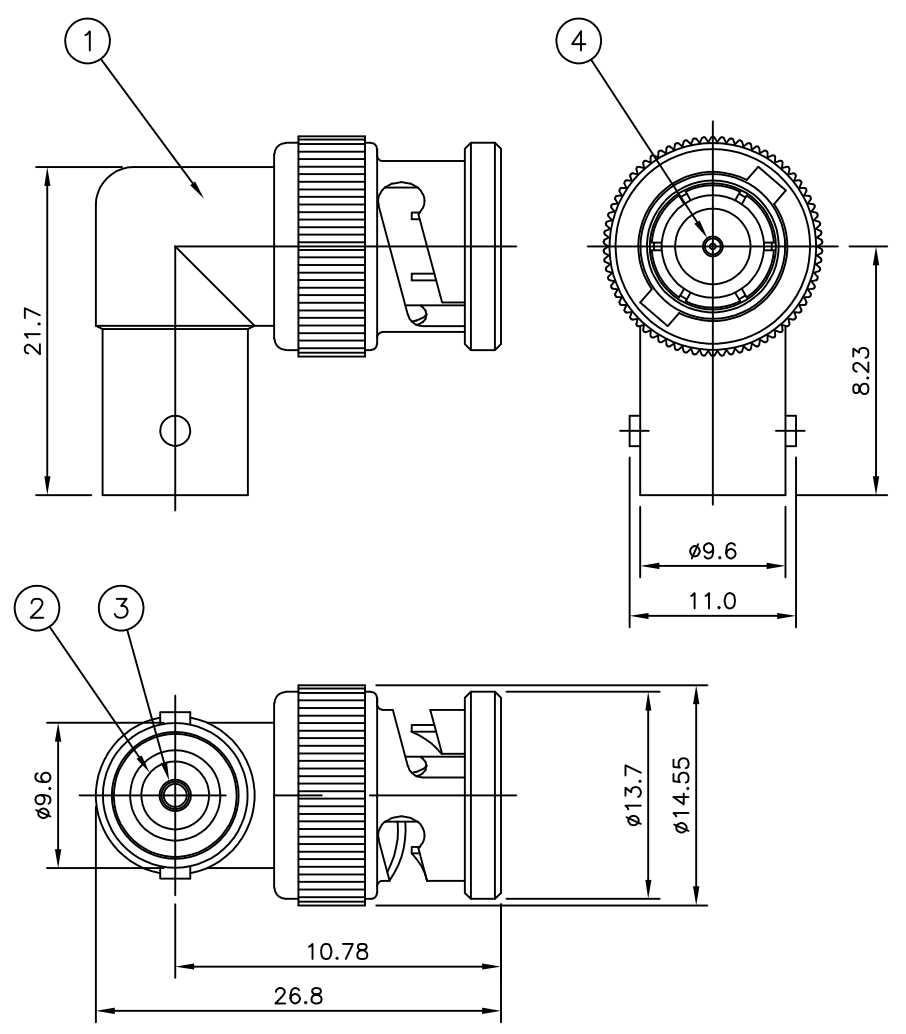


THIS DRAWING IS UNPUBLISHED. RELEASED FOR PUBLICATION MAR , 2006.  
 © COPYRIGHT 2006 By - ALL RIGHTS RESERVED.

LOC	DIST	REVISIONS			
P	LTR	DESCRIPTION	DATE	DWN	APVD
E	B	B1	REVISED PER ECO-11-005033	01APR11	RK HMR
		C	REVISED PER ECO-12-010042	29MAY2012	TITAN MARTIN

- NOTES**
- ① 100 TRAY PACK IN ACCORDANCE WITH AMP SPEC 107-3275
  - ② SINGLE PACK IN ACCORDANCE WITH AMP SPEC 107-3275
  - ③ Au PLATING
  - ④ Ni PLATING
  - 5. FOR TECHNICAL DATA REFER TO YOUR LOCAL TE CONNECTIVITY SALES OFFICE
  - 6. ALL DIMENSIONS ARE NOMINAL FOR REFERENCE ONLY UNLESS OTHERWISE STATED



QUANTITY PER ASSY		PARTS LIST		
1	1	BRASS	③ MALE CONTACT	4
1	1	PHOS BRONZE	③ FEMALE CONTACT	3
1	1	PE-606	INSULATOR	2
1	1	ZINC ALLOY	④ BODY	1
5--1	5--0	MATERIAL	DESCRIPTION	ITEM

THIS DRAWING IS A CONTROLLED DOCUMENT.		DWN RITA ZUO 10 Mar 09	<b>STE</b> TE Connectivity	
DIMENSIONS: mm		CHK ANSON MA 10 Mar 09		
TOLERANCES UNLESS OTHERWISE SPECIFIED:		APVD BOB ZHAO 10 Mar 09	NAME BNC ELBOW ADAPTOR PLUG - JACK	
0 PLC ± 0.5		PRODUCT SPEC 108-112000	50 OHMS	
1 PLC ± 0.3		APPLICATION SPEC	-	
2 PLC ± 0.2		WEIGHT -	SIZE A3	CAGE CODE 00779
3 PLC ± -		MATERIAL SEE TABLE	DRAWING NO C-1634526	RESTRICTED TO -
4 PLC ± -		FINISH -	SCALE NTS	SHEET 1 OF 1
ANGLES ± -		CUSTOMER DRAWING	REV C	